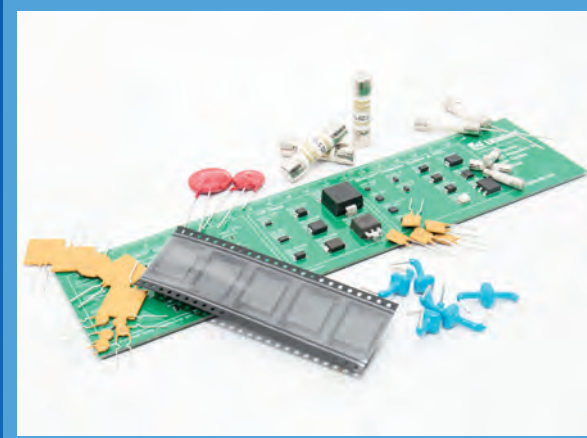


Electronics

Littelfuse



Resetttable Fuses (PPTC)

HEMS



High-current Connectors

Alco / Augat



Buttons / Switches

Corcom



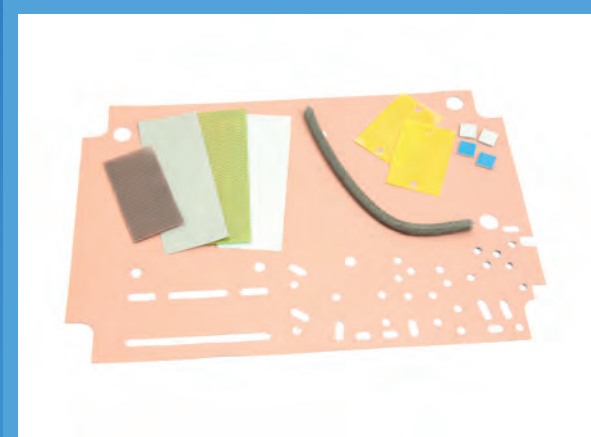
Filters

AMP



Connectors

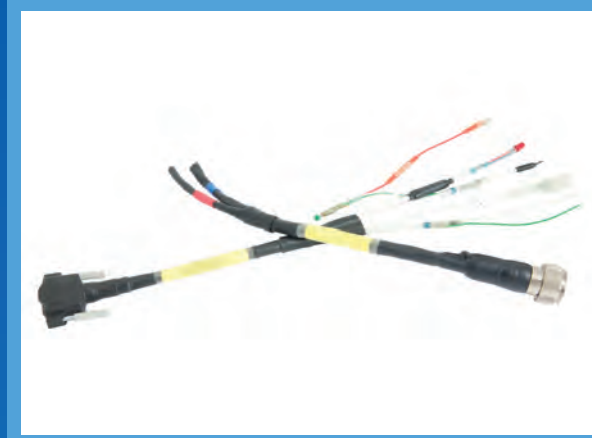
Resin Designs



Heat-Conducting Foils

Electromechanics

Raychem



Cables / Wires

Raychem



Molded Parts / Solder Sleeves

Raychem



Tubes

Idento



Identification

Federal Mogul



Protective Sleeves

Federal Mogul



Expandable / Self-Wrapping Sleeves

Electronics / Pneumatics

Schrack



Relays

Kuhnke



Solenoids / Valves

Kilovac



High-Performance Relays

BSG / Kuhnke



Pneumatics

Celduc



Solid State Relays

SMC



Pneumatics

Systems / Services

Hengstler



Counters / Rotary Encoders

Kuhnke



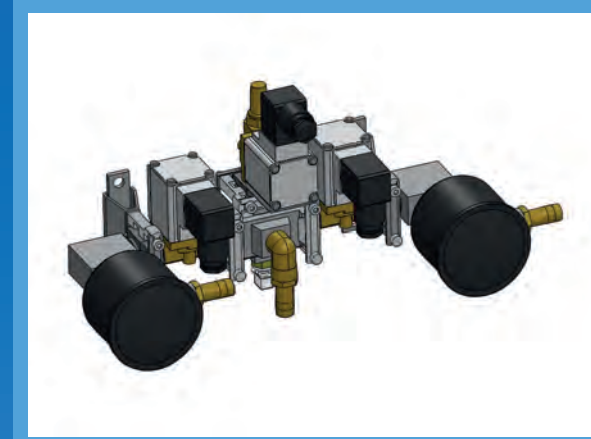
Control / Drive Systems

TE Tools



Crimping, Cutting, Insertion, etc.

3D Modeling



Solidworks

Idento / Raychem



Printer / Software

Cutting



Shrinking Tubes, Protection Sleeves, Cables / Wires